

C

电性能 / Characteristics

规格 / Standard

条件/放电电流 温度 截止电压/工作温度范围
Current/Temp /Stop Voltage/Working Temp

标称容量 /Capacity

500mA /150°C/ 2.0V / -40°C-150°C

5-5.5 AH

500mA /165°C/ 2.0V / -40°C-165°C

4.8-5.2AH

500mA /180°C/ 2.0V / -40°C-180°C

4.2-4.7AH

500mA /200°C/ 2.0V / -40°C-200°C

3.8-4.1AH

公称电压/Voltage

3.65V

最大持续放电电流/Maximum Current

100mA

最大脉冲放电电流/Pulse Maximum Current

200mA

规格尺寸、质量/Size & Weight

电池直径（最大）/Diameter Max

25.4mm

电池高度（最大）/Height Max

52mm

电池质量/Weight

52±2g

贮存/Storage

应在清洁、干燥、凉爽（小于等于25°C）条件下放置

Store cells in a cool (below 25°C) and dry condition

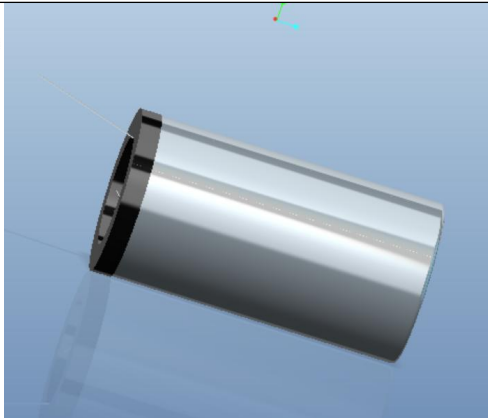
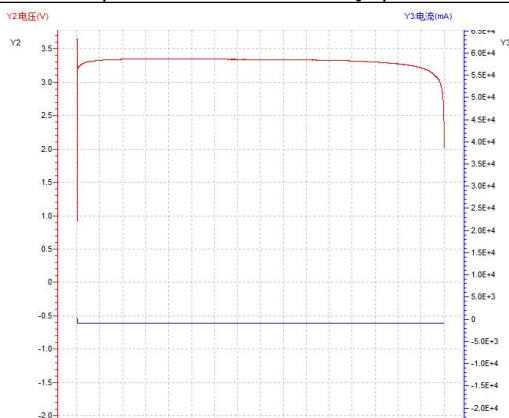
长贮存寿命（25°C时年自放电率2%）

(Low self discharge rate 2% per year at 25° C)

警告/Warning

请勿充电、撞击、挤压、短路或者加热，否则可能引起爆炸、燃烧和有害物质泄漏

Strictly Prohibited Operations. Any short-circuiting, charging, disassembling, crushing, or incineration of the product is strictly prohibited.



广州市金恒源电子科技有限公司

地址: 广州市白云区良田南横一路7号

电话: 020-31523045

网址: <http://www.gaobitebattery.com>

GUANG ZHOU JIN HENG YUAN CO.,LTD

Add: 7, Liangtian Nanheng Yi Rd, Baiyun Dist, Guangzhou

Tel: 020-31523045

Website: <http://www.gaobitebattery.com>

注: 文中数据仅供参考, 不作电池性能的担保, 正式产品质量于购货合同中由供需双方确认。

Note: The data provided herein is for reference only and does not guarantee battery performance. Formal product quality shall be confirmed between suppliers and customers in the purchase contract.